

KEY FEATURES

- 2 way bass-reflex system
- Built-in 70/100V transformer with 8 ohms option
- 5 individual power settings in 70/100V mode
- 90° dispersion angle
- White ABS back cover
- Easy to install
- Designed for public address in-wall applications

TECHNICAL SPECIFICATIONS

Type	2 way bass-reflex system
Nominal diameter	125 mm. 5 in.
Rated impedance	8 ohms.
Power capacity	40 w RMS (8 ohms.) 1 / 2 / 4 / 7.5 / 15 w (70/100 v)
Sensitivity	87 dB, 1 w @ 1 m
Frequency range	20-20000 Hz
Dispersion angle	90°
Transformer line	70/100 v

MOUNTING INFORMATION

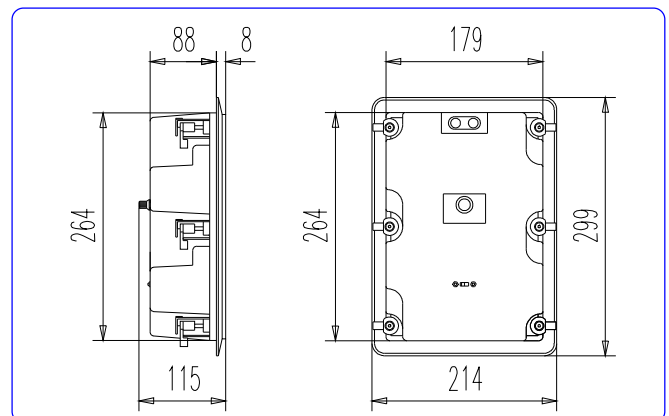
Overall dimensions	299 x 214 mm. 11.77 x 8.43 in.
Mounting dimensions	264 x 179 mm. 10.39 x 7.05 in.
Depth	115 mm. 4.53 in.
Net weight	2 kg. 4.4 lb.

MATERIALS

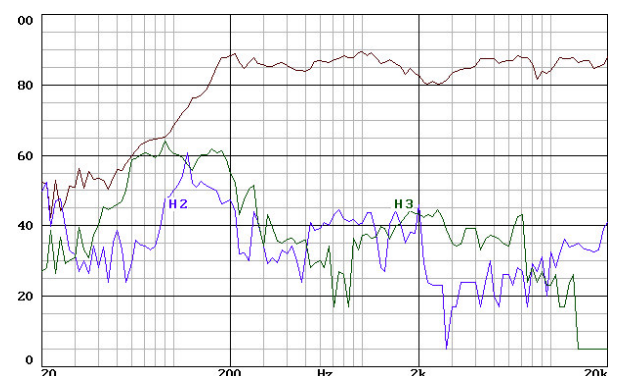
- **LF unit diaphragm:** proplene.
- **HF unit diaphragm:** polycarbonate.
- **Grid:** metal.
- **Back cover:** ABS.



DIMENSION DRAWINGS



FREQUENCY RESPONSE AND DISTORTION CURVES



Note: on axis frequency response measured with loudspeaker standing on infinite baffle in anechoic chamber, 1w @ 1m.